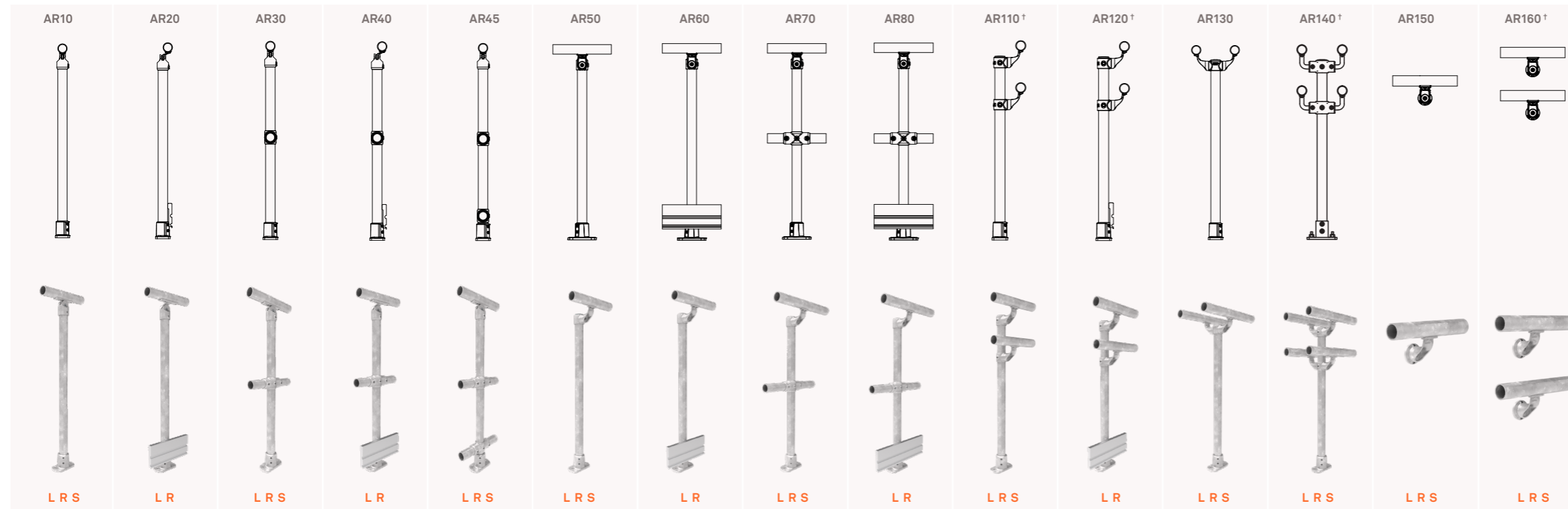
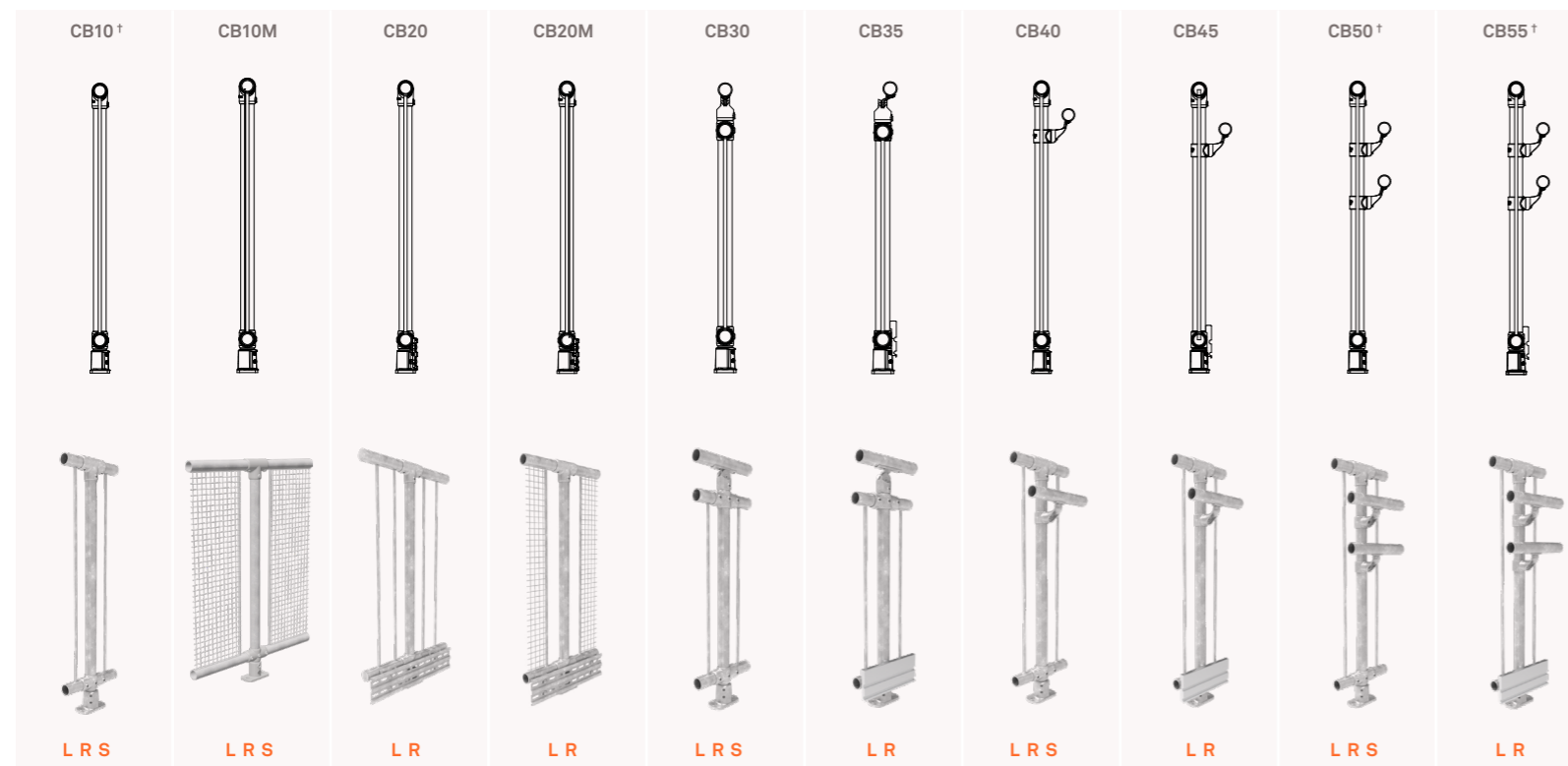


## HANDRAILS & BALUSTRADES

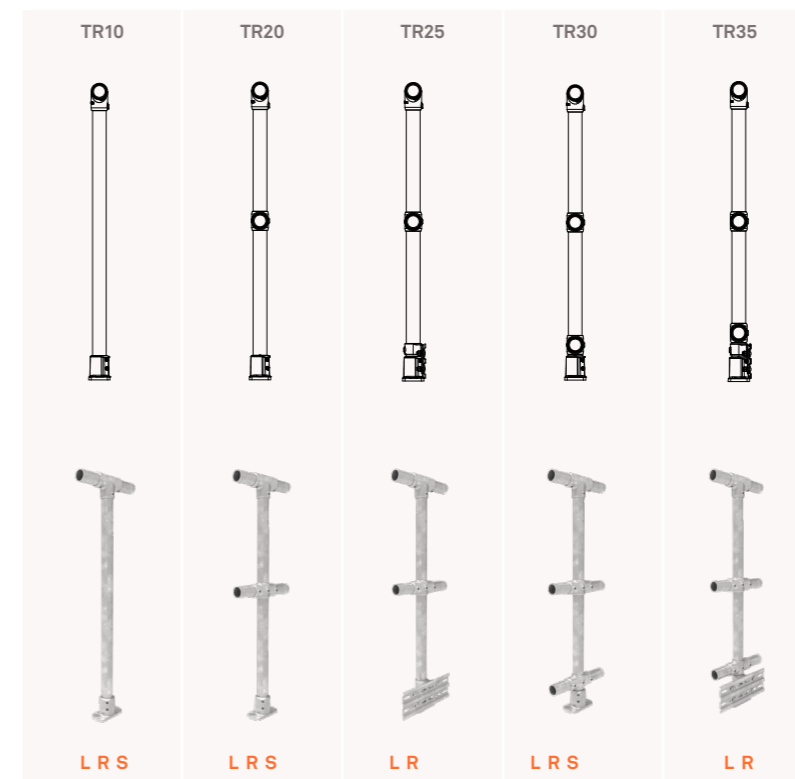
### ASSISTRAIL configurations



### CONECTABAL configurations\*



### TUFFRAIL configurations \*\*



**Key:**  
LEVEL, RAKE, STAIR

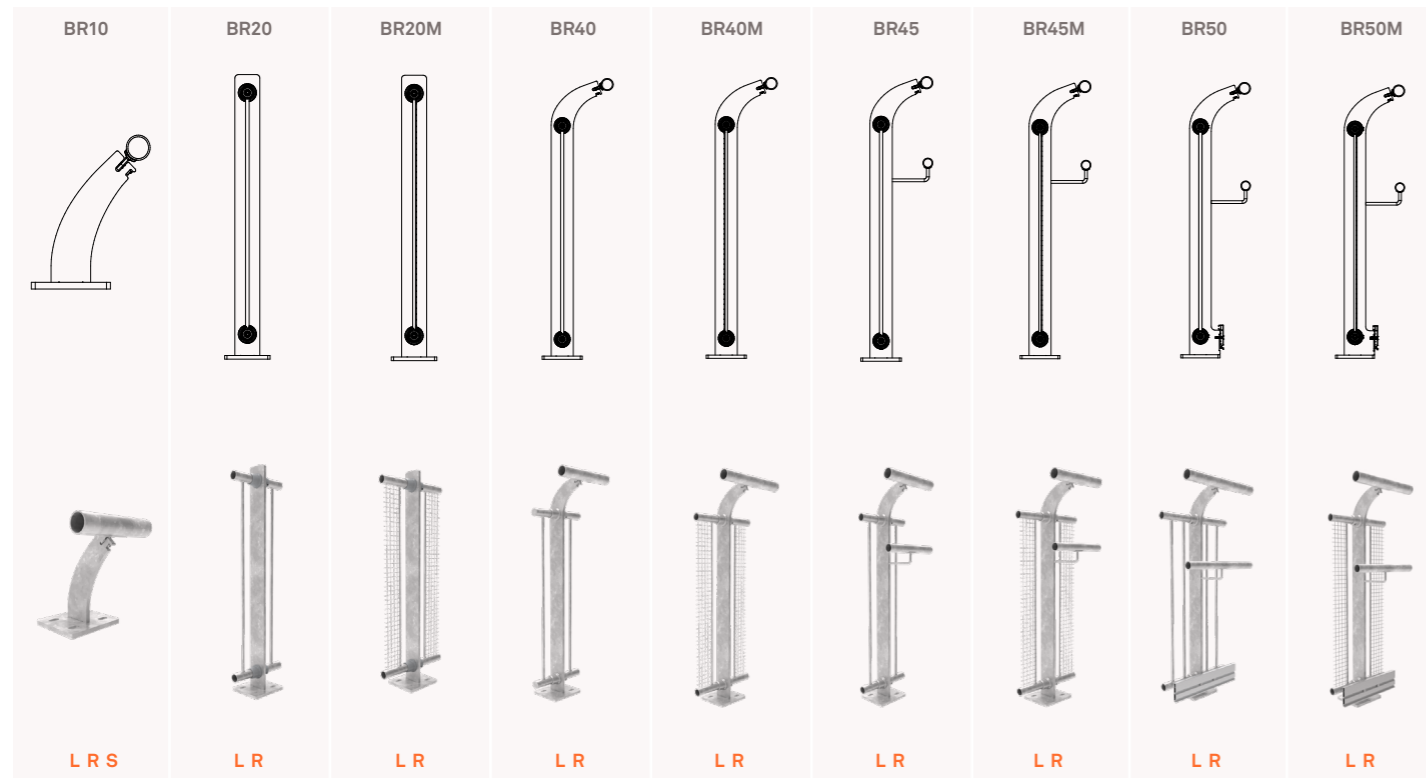
\* Balusters at 100mm intervals to meet/exceed standards and compliant to crowd loadings up to c5 classification.

\*\* Available in the following materials:  
- HDG  
- Stainless Steel  
- Aluminium

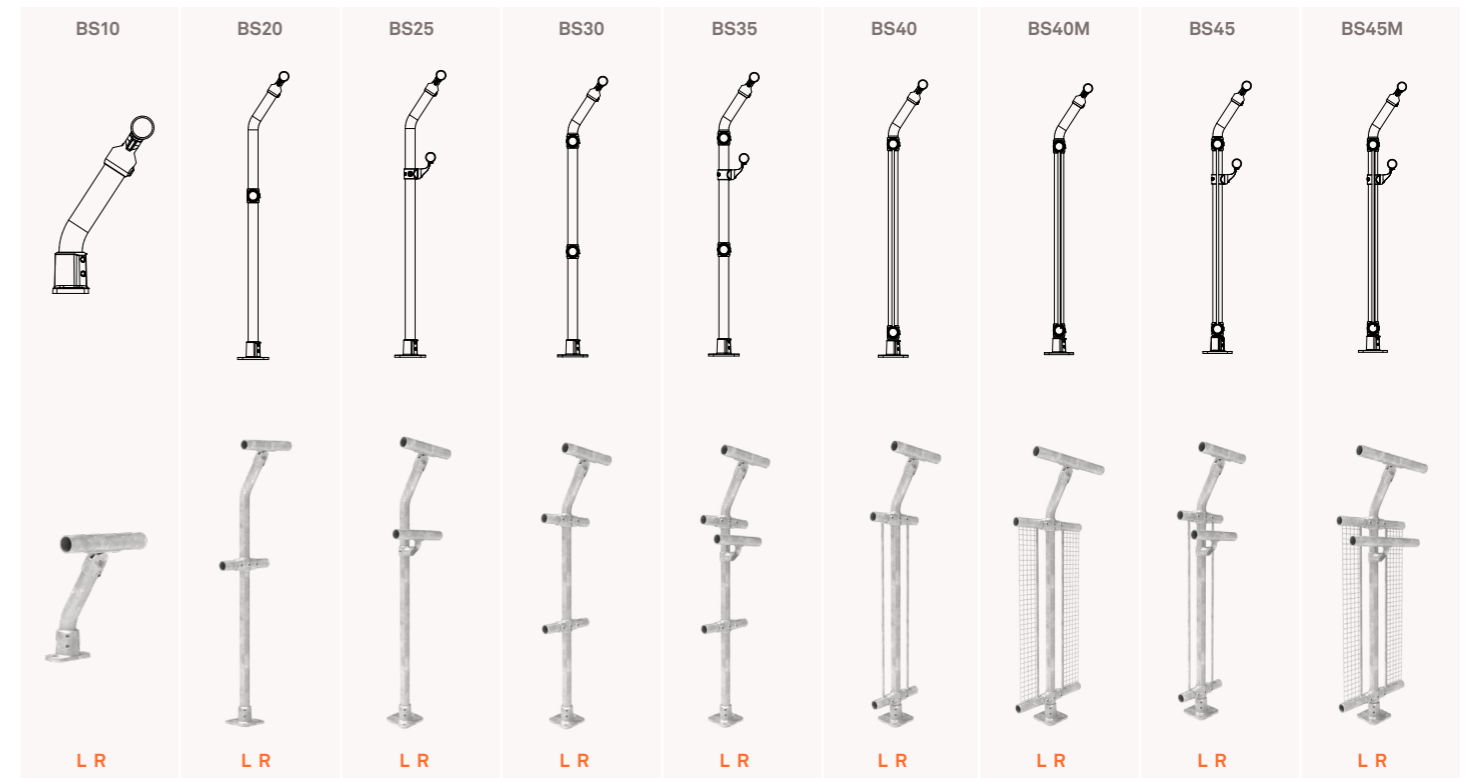
† Suitable for Class 9b buildings

## BARRIERS & WALKWAYS

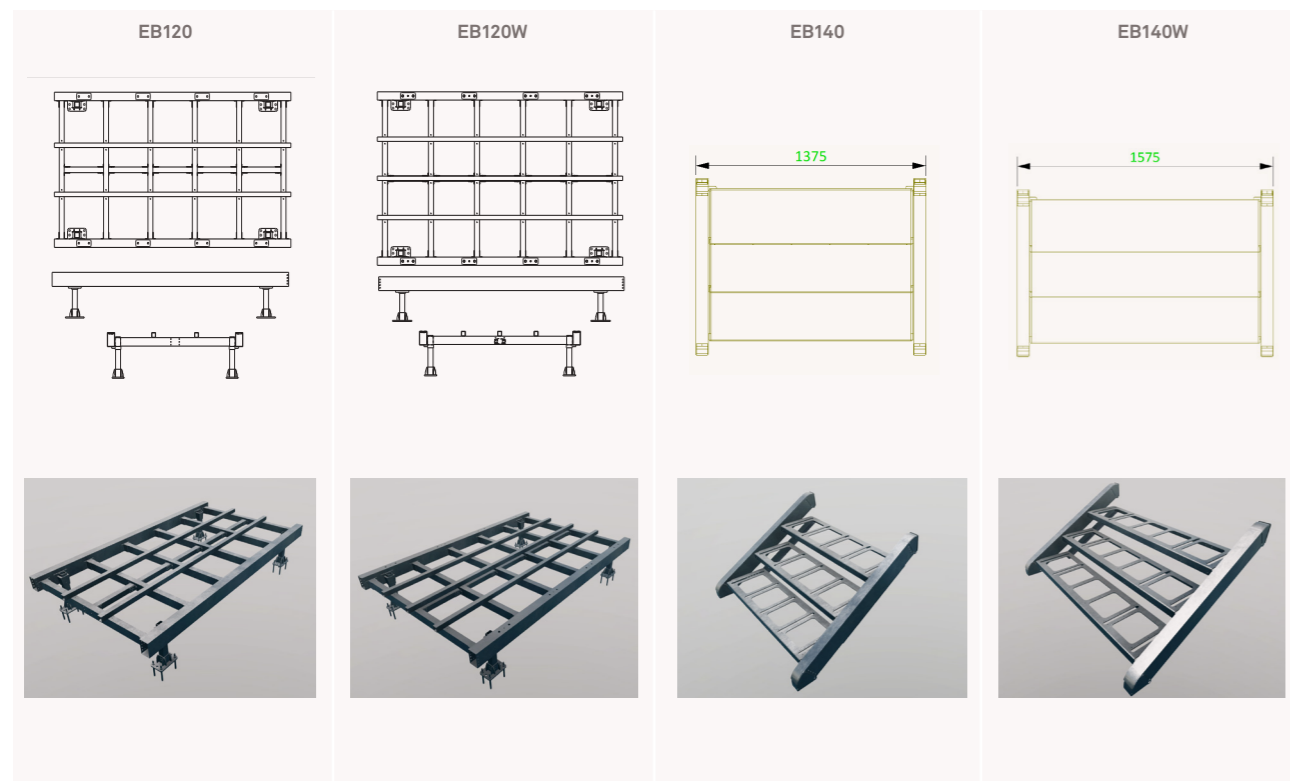
### BRIDGERAIL configurations\*



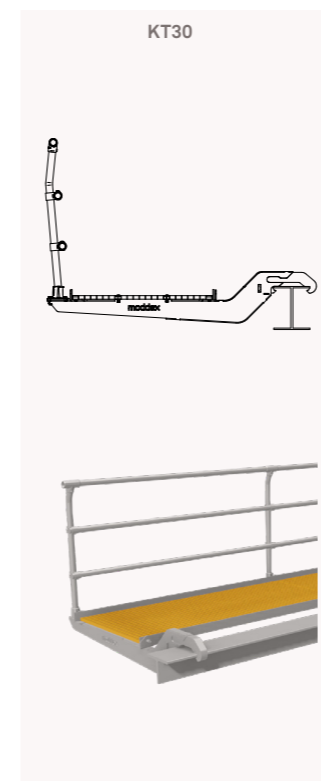
### BIKESAFE configurations



### EZIBILT configurations



### KLIPTREAD configurations



**Key:**  
LEVEL, RAKE, STAIR

\* Complies with AS5100.2.2017  
CL12.5 and NZTA Bridge  
Manual B6.4